

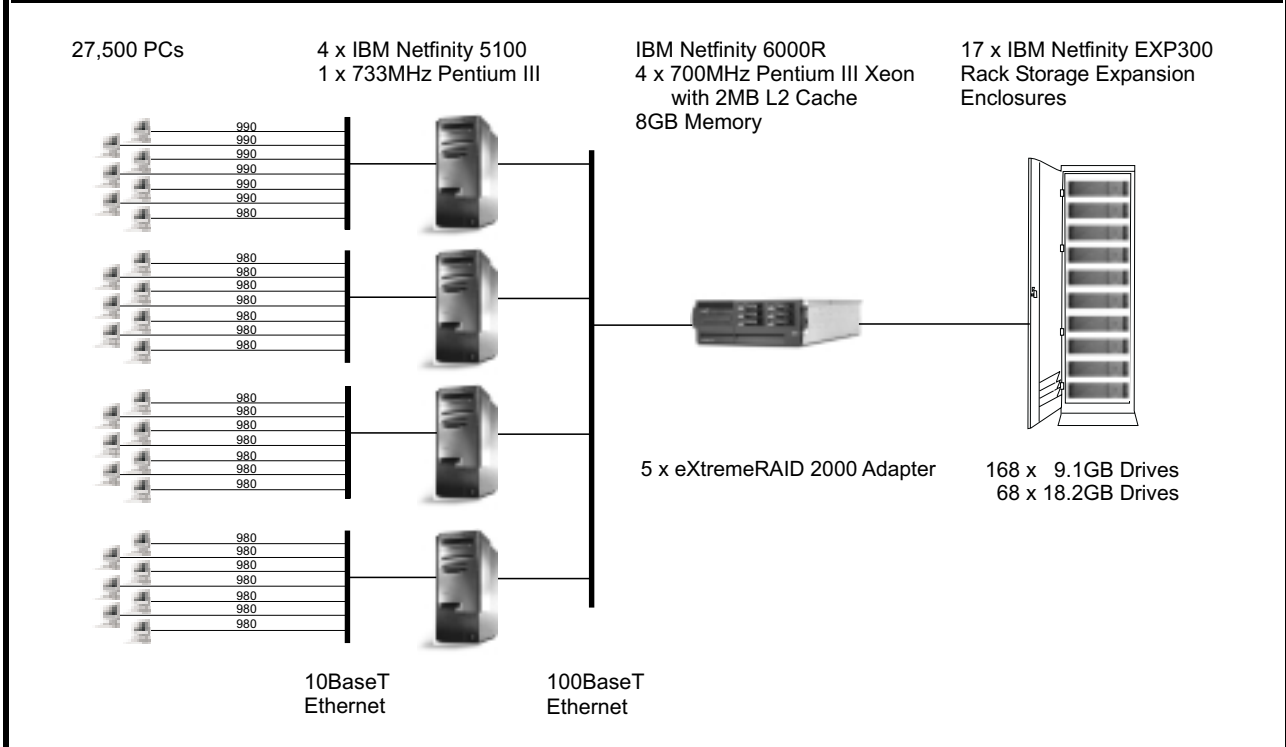
IBM Netfinity 6000R c/s

TPC-C Rev 3.5

Report Date: Dec. 11, 2000

Total System Cost	TPC-C Throughput	Price/Performance	Availability Date
\$483,092	34,264.90 tpmC	\$14.10 /tpmC	Dec. 11, 2000

Processors	Database Manager	Operating System	Other Software	Number of Users
4 Intel Pentium III Xeon 700MHz 2MB L2 Cache	Microsoft SQL Server 2000 Enterprise Edition	Microsoft Windows 2000 Advanced Server	Microsoft Visual C++ 6.0 Win32 Microsoft COM+	27,500



System Component	Qty	Server	Qty	Each of Four Clients
Processors	4	700MHz Pentium III	1	733MHz Pentium III
Cache		Xeon w/2MB L2 Cache		w/256KB L2 Cache
Memory	16	512MB	1	128MB
			1	256MB
Disk Controllers	5	Mylex eXtremeRAID 2000	1	Ultra160 SCSI Onboard
Disk Drives	168	9.1GB (15000 rpm)	1	9.1GB Hard Disk
	68	18.2GB (15000 rpm)		
	1	9.1GB (10000rpm)		
Total Storage		2775.5GB		
Tape Drive	1	10/20GB SCSI Tape Drive		

IBM Corporation		Netfinity 6000r c/s		TPC-C Revision 3.5			
				Report Date: Dec. 11, 2000			
Description	Order Number	Third-Party Brand	Pricing	Unit Price	Qty	Ext. Price	5-Yr. Maint.*
Server Hardware							
Netfinity 6000R 700MHz/2MB Pentium III Xeon*	86822RY		1	\$6,555	1	\$6,555	\$5,695
700MHz/2MB L2 Cache Processor Upgrade	00N7944		1	3,745	3	11,235	0
512MB ECC SDRAM RDIMM Memory Kit	33L3117		1	1,429	15	21,435	0
Netfinity 9.1GB 10K Ultra160 SCSI Drive	33L7204		1	319	1	319	0
Mylex eXtremeRAID 2000 Adapter**	E2000-4-32NB	Mylex	3	1,872	7	13,104	0
Netfinity 4.2M Ultra2 SCSI Cable	03K9311		1	99	18	1,782	0
Netfinity 10/100 Ethernet Adapter 2	34L1501		1	89	1	89	0
E54 14" (13.8" Viewable) Color Monitor*	6331B2N		1	169	1	169	270
10/20GB Internal SCSI Tape Drive	09N4042		5	439	1	439	0
Netfinity Rack*	9306900		1	1,565	2	3,130	2,520
Side Panel Kit	94G6669		1	219	1	219	0
Storage Hardware							
Netfinity EXP300 Rack Storage Enclosure*	35311RU		1	2,890	17	49,130	12,886
9.1GB 15K Ultra160 SCSI Drive	19K0655		1	539	168	90,552	0
18.2GB 15K Ultra160 SCSI Drive	19K0656		1	720	68	48,960	0
Subtotal						\$247,118	\$21,371
Server Software							
Microsoft SQL Server 2000 Enterprise Edition	810-00846	Microsoft	2	16,541	4	\$66,164	\$0
Microsoft Windows 2000 Advanced Server	C10-00475	Microsoft	2	2,399	1	2,399	0
Five-Year Maintenance for Software		Microsoft	2	10,475	1		10,475
Subtotal						\$68,563	\$10,475
Client Hardware							
IBM Netfinity 5100 / 733MHz/256KB Pentium III*	86582RY		1	2,050	4	\$8,200	\$22,780
9.1GB 10K Ultra160 SCSI Drive	37L7204		1	319	4	1,276	0
256MB 133MHz ECC SDRAM RDIMM	33L3125		1	539	4	2,156	0
Netfinity 10/100 Ethernet PCI Adapter	34L1501		1	89	4	356	0
E54 15" (13.8" Viewable) Color Monitor*	6331B2N		1	169	4	676	1,080
Subtotal						\$12,664	\$23,860
Client Software							
Microsoft Windows 2000 Server with COM+	C11-00821	Microsoft	2	738	4	2,952	0
Microsoft Visual C++ Professional 6.0 Win32	048-00317	Microsoft	2	549	1	549	0
Subtotal						\$3,501	\$0
User Connectivity							
8-Port 10Mbps Hub***	DEH2924	Generic	1	25	3,795	94,875	0
8-Port 10/100Mbps Nway Fast Ethernet Switch***	NX-H8TX	NETLUX	4	95	7	665	0
Subtotal						\$95,540	\$0
Total						\$427,386	\$55,706
Notes: * The standard 3-year and extended warranties on IBM hardware is for 7x24, 4-hour response time coverage. ** Five-year warranty. *** 10% or minimum 2 spares are added in place of on-site service (products have a 5-year return-to-vendor-warranty) Pricing: 1 - Software House International; 2 - Microsoft Corp.; 3 - Mylex ; 4 - NETLUX; 5 - IBM Corp.				Five-Year Cost of Ownership:		\$483,092	
				tpmC Rating:		34264.90	
				\$ / tpmC:		\$14.10	
Audited by Bradley J. Askins of InfoSizing, Inc.							
Prices used in TPC benchmarks reflect the actual prices a customer would pay for a one-time purchase of the stated components. Individually negotiated discounts are not permitted. Special prices based on assumptions about past or future purchases are not permitted. All discounts reflect standard pricing policies for the listed components. For complete details, see the pricing sections of the TPC benchmark specification. If you find that stated prices are not available according to these terms, please inform the TPC at pricing@tpc.org. Thank you.							

Numerical Quantities Summary			
MQTh, Computed Maximum Qualified Throughput: % throughput difference, reported and reproducibility runs:			34,264.90 tpmC 0.064%
Response Times (in seconds)	Average	Maximum	90 %-tile
New-Order	0.47	21.29	0.82
Payment	0.40	27.84	0.75
Delivery	0.13	7.21	0.16
Stock Level	1.20	11.88	1.75
Order Status	0.41	6.04	0.75
Delivery (Deferred)	0.21	0.89	0.35
Menu	0.13	13.46	0.17
Transaction Mix (in percent of total transactions)		Total Occurrences	Percent
New-Order		685,298	44.89
Payment		656,525	43.01
Delivery		61,504	4.03
Stock-Level		61,582	4.03
Order Status		61,643	4.04
Emulation Delay (in seconds)	Response Time		Menu
New-Order	0.1		0.1
Payment	0.1		0.1
Delivery	0.1		0.1
Stock-Level	0.1		0.1
Order Status	0.1		0.1
Keying/Think Times (in seconds)	Average	Minimum	Maximum
New Order	18.01 / 12.05	18.00 / 0.00	18.03 / 120.51
Payment	3.02 / 12.04	3.00 / 0.00	3.03 / 120.50
Delivery	2.01 / 5.06	2.00 / 0.00	2.03 / 50.50
Stock Level	2.01 / 5.03	2.00 / 0.00	2.03 / 48.61
Order Status	2.02 / 10.06	2.00 / 0.00	2.03 / 100.50
Test Duration			
Ramp-up time			21 minutes
Measurement interval			20 minutes
Number of transactions (all types) completed in measurement interval			1,588,062
Ramp-down time			22 minutes
Number of checkpoints in measurement interval			1
Checkpoint interval			20 minutes